



powering **marine** safety

BUKH L700

**BUKH SOLAS MARINE DIESEL ENGINE
L13 SERIES - 700 HP (515 KW)**

12.7 Liter Light Duty Commercial Engine

The Electronic Unit Injection system delivers 700 PS and 247.5 kg·m of torque from the 12.7 liter in-line 6 cylinder engine.

The robustly-designed unit was specifically conceived as a heavy duty engine with the ability to serve the professional and commercial markets. It has stable performance at high load and responds well to sudden load changes.

Excellent power and torque in a wide rpm range proves world-class diesel development and beats the performance of competition models. Economy is assured by the state-of-the-art fuel management system featuring electronic unit injectors (EUI).



TECHNICAL DESCRIPTION:

ENGINE

- 6 cylinder in-line, 24 valve OHC
- Cast iron cylinder block and cylinder head
- Gallery oil-cooled long lasting mono steel pistons
- Integrated water jacket
- Single serpentine belt system
- Drive belt auto-tensioner

ENGINE MOUNTING

- Adjustable engine mounts (Optional)

LUBRICATION SYSTEM

- Gear-driven engine oil pump
- Closed system with forced feeding
- Integrated oil-cooler in cylinder block
- Easily exchangeable oil filter cartridge
- Eco type oil filter
- Electric oil extraction pump

EFUEL SYSTEM

- Electronic Unit Injector (EUI)
- Gear-driven fuel pump
- Electronically controlled injection timing
- Fine fuel filter and water separator
- High pressure six-hole injector nozzles

ELECTRICAL SYSTEM

- 24 volt - 90A alternator
- Auxiliary engine stop button
- Air heating system for a trouble-free cold start
- NMEA2000 converter (Optional)
- 2 pole system (Optional)

AIR INLET SYSTEM

- Reusable air filter
- Intake extension kit (Optional)

COOLING SYSTEM

- Gear-driven seawater pump
- Seawater-cooled intercooler, heat exchanger
- Auxiliary connector for cabin heating
- Corrosion resistant material for seawater circuit
- Easily accessible rear mounted seawater pump

EXHAUST SYSTEM

- Coolant cooled exhaust manifold
- Cast iron exhaust pipe
- WGT (Waste Gate Turbocharger)

INSTRUMENT BOX ASSEMBLY

- Engine self-protection and diagnosis
- Displays CAN information
- Displays engine diagnostic error codes
- Audible alarm and control lamps
- Idle & PTO rpm adjustable switch

EMISSIONS

- IMO Tier II

TYPE APPROVAL OPTIONS

- EIAPP
- RINA

As BUKH is always endeavouring to improve the engines, specifications mentioned are subject to alterations without previous notice.

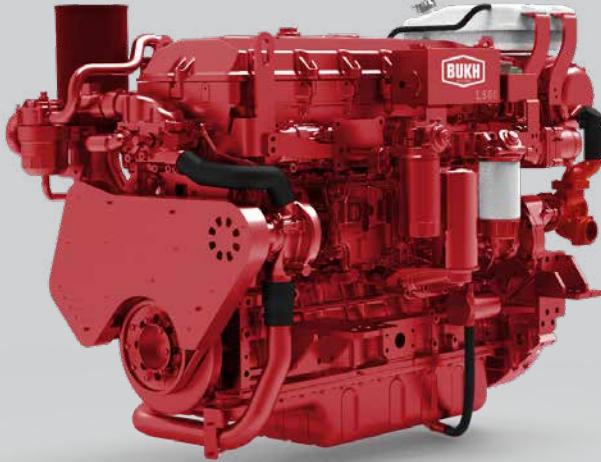
BUKH L700

BUKH SOLAS MARINE DIESEL ENGINE

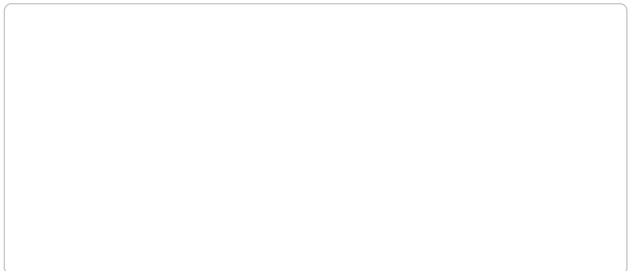
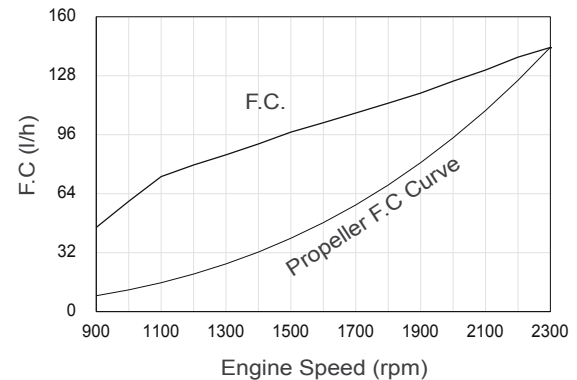
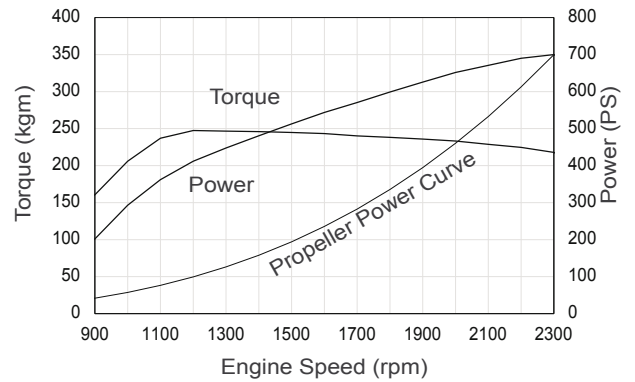
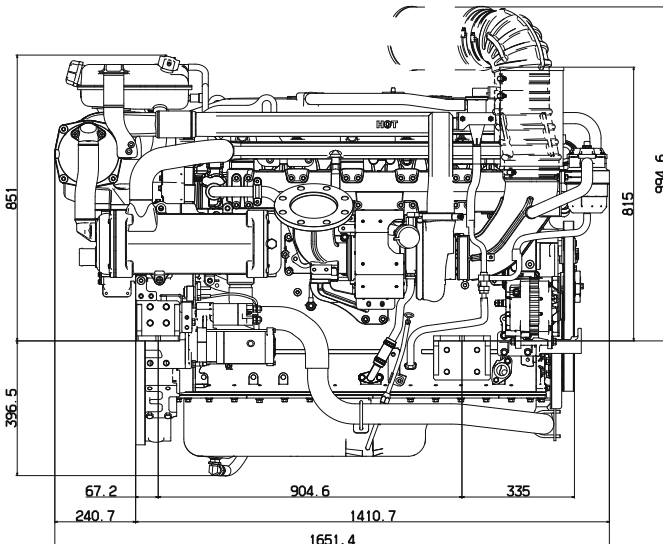
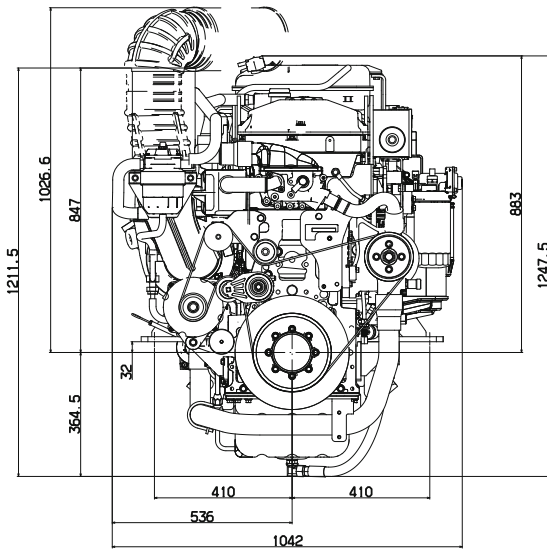


Specifications L700

Propulsion System	Shaftdrive & Waterjet
Engine Duty Rating	Light Duty (S3)
Configuration	4-stroke, 24-valve OHC, WGT with intercooler, water cooling
Output [PS (kW)]	700 (515)
Rated RPM	2,300
Cylinders	In-line 6
Displacement [cc]	12,742
Bore X Stroke [mm]	130 X 160
Compression Ratio	16.0 : 1
Max. Torque	247.5 kg·m @ 1,200 rpm
Injection System	Electronic Unit Injector (EUI)
Alternator	24V-90A
Engine Diagnosis	YES
Max Fuel Consumption [l/h]	143.4
Dry Weight [kg]	1,320
Flywheel	SAE 14
Flywheel Housing	SAE 1



Dimensions L700 (Not for installation)



SOLAS approved by Det Norske Veritas
Notified Body: No. 0575